



PONY PUMP



Features

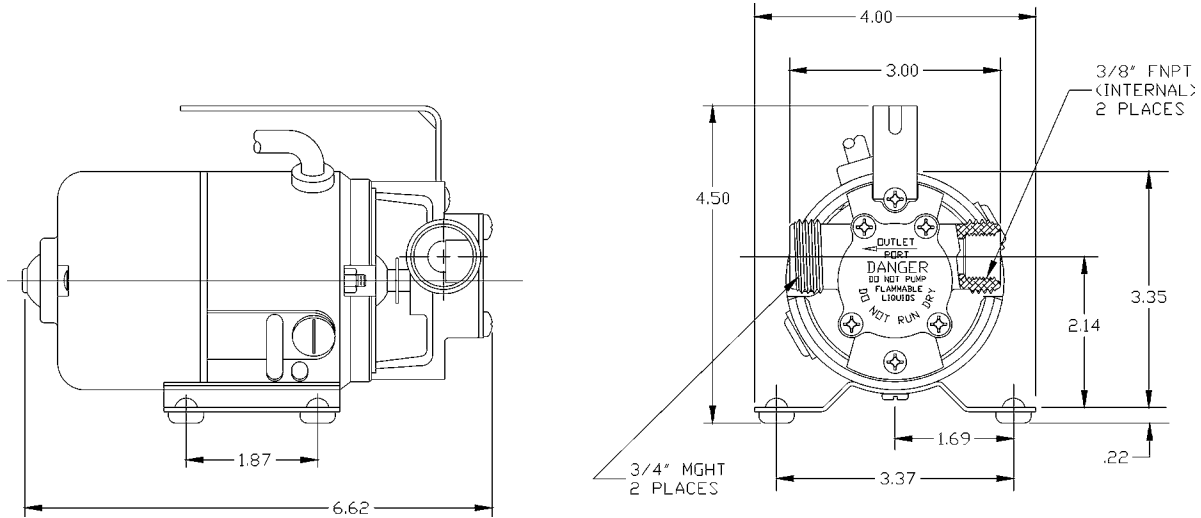
- Lifts liquid from 7' below and will pump it up to 48' high
- Rigid stainless steel handle
- Self-priming
- 6' cord with grounded plug
- Thermally protected motor (115V AC)
- Two extra replacement impellers included

Construction

- Volute — Nickel plated brass
- Impeller — BUNA-N
- Housing — Nickel plated brass
- Cover — Stainless steel
- Shaft Seal — BUNA-N (Viton – 370/375 only)
- Discharge — Garden hose hookup or 3/8" FNPT for pipe
- Cam — Stainless steel

These lightweight, portable pumps, with self-priming, siphon-like action, can be used to empty waterbeds, drain water heaters or aquariums, pump out a basement, transfer water to an RV, pump boat bilges, pump out stock tanks, and in just about any other application where water needs to be transferred. Sets include two 6' (2m) hoses, strainer and carrying handle. Alligator clips and 7' of two-conductor cable in 12V DC kit only. Pump inlets and outlet are dual-threaded 3/8" FNPT and 3/4" garden hose thread. Intermittent duty is 15 minutes on, 45 minutes off.

PONY PUMP



Specifications

Model No.	Item No.	Listings	Discharge Size	Volts	Amps	Performance (GPH @ Head)					Shut Off		Pwr. Cord (ft.)	Weight (lbs.)
						1'	5'	10'	20'	30'	Feet	PSI		
360	555502	cULus	3/4" MGHT/3/8" FNPT	115VAC	1.6	360	342	300	270	198	48.3	20.9	6	5.25
361	555504	cULus	3/4" MGHT/3/8" FNPT	115VAC	1.6	360	342	300	270	198	48.3	20.9	6	8.75
370	555507	cULus	3/4" MGHT/3/8" FNPT	115VAC	1.4	360	342	300	270	198	48.3	20.9	6	5.25
365	555602	N/A	3/4" MGHT/3/8" FNPT	12VDC	7.0	300	258	240	202	150	46.0	19.9	1	3.75
366	555606	N/A	3/4" MGHT/3/8" FNPT	12VDC	7.0	300	258	240	202	150	46.0	19.9	7	7.00
375	555608	N/A	3/4" MGHT/3/8" FNPT	12VDC	7.0	300	258	240	202	150	46.0	19.9	1	3.75
360002	555501		3/4" MGHT/3/8" FNPT	Pump head less motor										

