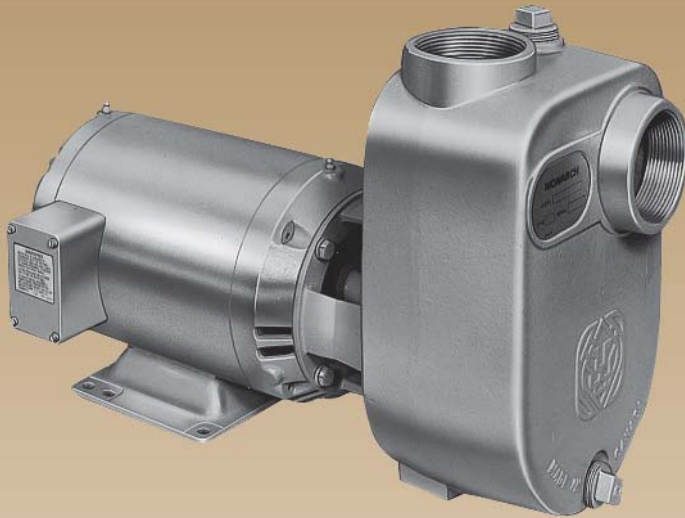


Industrial

BSEF-TE Series



Applications

These self priming cast iron pumps are designed to handle liquid fertilizer, such as concentrated nitrogen phosphorous solutions. The viton and stainless steel seal will handle most agriculture and weed control chemicals. The BSEF pumps are also excellent for general dewatering purposes.

Features

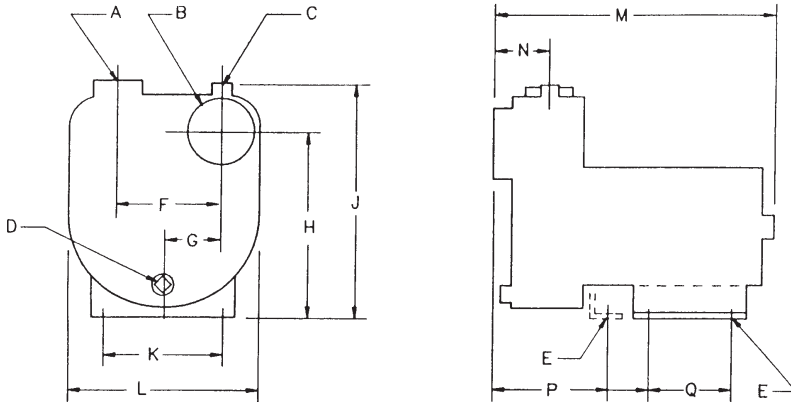
- **CASING** – Made of rugged cast iron with a large chamber for rapid self priming.
- **PRIMING PLUG** – Fits the standard garden hose for easy priming
- **MOTOR** – The BSEF pump comes with a reliable industry standard Totally Enclosed Fan Cooled (TEFC) motor.
- **IMPELLER** – Semi-open, cast iron impeller, ideal for handling fertilizer, dirty water or other liquids. The impeller is blind hole tapped so liquid will not corrode the motor shaft.
- **MECHANICAL SEAL** – Made of stainless steel with viton bellows
The BSEF-500 and BSEF-750 have a replaceable stainless steel sleeve for easy seal maintenance and protection of motor shaft.



MONARCH

Little GIANT
Pumps. People. Partnerships.

Dimensional Outline



Model	Discharge A (NPT)	Suction B (NPT)	Priming Plug C (NPT)	Drain Holes D (NPT)	Mounting E	F	G	H	J	K	L	M	N	P	Q
BSEF-150TE	1 1/4	1 1/4	3/4	3/4	.44x.94	4.00	2.00	8.50	10.70	4.90	7.50	17.20	4.75	6.70	3.00
BSEF-200TE	2	2	3/4	3/4	.44x.94	4.25	2.13	9.50	11.00	4.90	8.50	17.60	5.13	7.00	3.00
BSEF-300TE	2	2	3/4	3/4	.35x1.22	4.25	2.13	8.60	11.10	4.25	8.50	15.90	3.20	5.93	-
BSEF-500TE	3	3	3/4	3/4	.40 DIA	3.62	2.00	10.30	14.00	7.50	9.30	24.10	4.60	14.00	5.50
BSEF-750TE	3	3	3/4	3/4	.40 DIA	3.62	2.00	10.30	14.00	7.50	9.30	24.10	4.60	14.00	5.50

*Dimensions measured in inches

Performance Chart

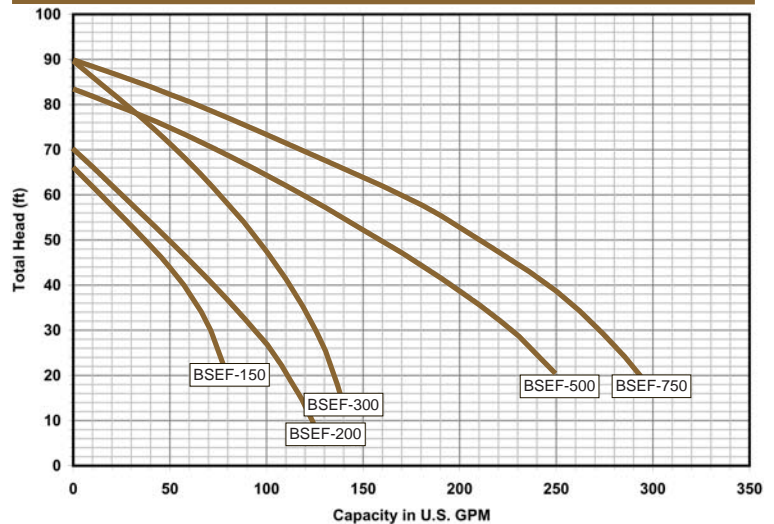
Model No.	RPM	HP	Total Head in Feet							
			20	30	40	50	60	70	80	90
BSEF-150TE	3450	1 1/2	74	70	62	35	10	-	-	-
BSEF-200TE		2	97	86	66	44	21	-	-	-
BSEF-300TE		3	138	130	120	100	79	55	25	-
BSEF-500TE		5	265	235	205	165	120	75	20	-
BSEF-750TE		7 1/2	290	270	245	215	170	120	70	-

BSEF SERIES - LESS POWER KITS

Model No.	Item No.	HP	Suct. NPT	Disch. NPT	Ship Wt. (lbs.)
BSEF-500LP	616888	5	3"	3"	50
BSEF-750LP	616868	7 1/2	3"	3"	60

*BSEF Pump end kits (Less Power) use 182/184JM motors.

Performance Data



BSEF SERIES - ELECTRIC MOTOR DRIVEN - LIQUID AG-CHEMICAL TRANSFER

Model No.	Item No.	HP	Suct. NPT	Disch. NPT	Electrical Characteristics	Ship Wt. (lbs.)
BSEF-150TE	616894	1 1/2	1 1/4"	1 1/4"	1/60/230V, TEFC motor	52
BSEF-200TE	616895	2	2"	2"	1/60/230V, TEFC motor	60
BSEF-300TE	616896	3	2"	2"	1/60/230V, TEFC motor	77
BSEF-300TE-3	616897	3	2"	2"	3/60/230/460V, TEFC motor	77
BSEF-500TE	616889	5	3"	3"	1/60/230, TEFC motor	148
BSEF-500TE-3	616899	5	3"	3"	3/60/230/460V, TEFC motor	148
BSEF-750TE-3	616898	7 1/2	3"	3"	3/60/230/460V, TEFC motor	165



P.O. Box 12010
Oklahoma City, OK 73157-2010
Phone: 1.800.701.7894
Fax: 1.800.678.7867
www.LittleGiantPump.com

©2009 Franklin Electric Co., Inc.
Little Giant® is a registered trademark of Franklin Electric Co., Inc.
Form 995678 - 03/09